



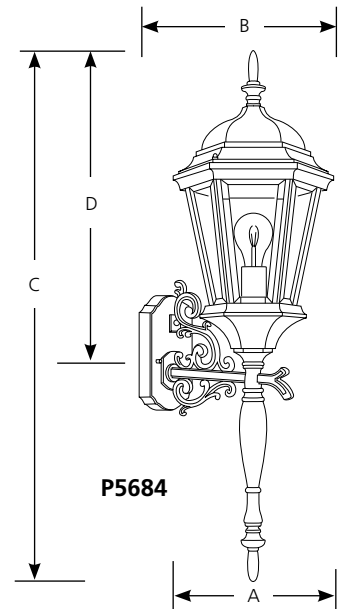
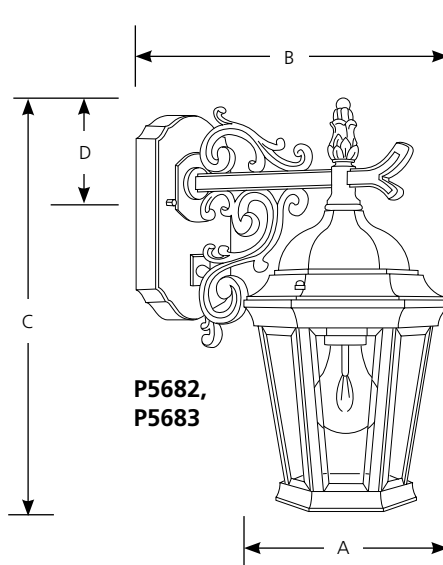
Incandescent

**Wellbourne Collection  
Wall Mount**

**Outdoor**

Type	Finish	
	-30	-31
P5682	<input type="checkbox"/>	<input type="checkbox"/>
P5683	<input type="checkbox"/>	<input type="checkbox"/>
P5684	<input type="checkbox"/>	<input type="checkbox"/>

Catalog No.	Finish		Lamping	Dimensions (Inches)			
	White	Black		A	B	C	D
P5682	-30	-31	1-100w A19	6-1/2	9	13-1/4	3-1/2
P5683	-30	-31	1-100w A19	9-1/2	9-3/4	18	3-1/2
P5684	-30	-31	1-100w A19	9-1/2	9-3/4	31-1/4	19



**Specifications:**

General

- White Textured (-30) and Black (-31) finishes
- Candle covers match fixture finish
- Die-cast aluminum construction
- Solid brass interior components
- Cast wall plate
- Clear beveled glass panels
- P5683 & P5684: 7-1/16" ht., 3-3/4" top width, 2-5/16" bottom width
- Each glass panel replaceable
- Matching post and chain-hung units available

Mounting

- Wall mount
- Covers outlet box
- Mounting strap for outlet box and cap nuts furnished
- P5682 back plate 4-1/2" W., 7" ht.
- P5683 back plate 4-1/2" W., 7" ht.
- P5684 back plate 4-1/2" W., 7" ht.

Electrical

- Medium based sockets
  - Ceramic with nickel-plated brass screw shell

Labeling

- UL-CUL wet location listed

Progress Lighting  
701 Millennium Blvd.  
Greenville, South Carolina  
29607

www.progresslighting.com

Rev. 5/11