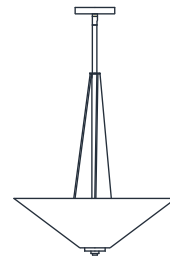
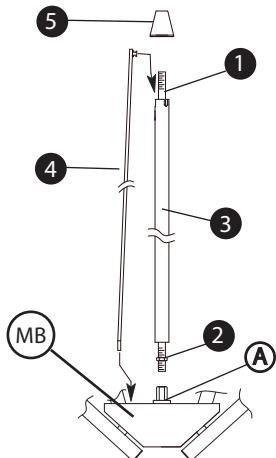


Family: Bravo | Item No. 4134



Drawing 1 - Body assembly



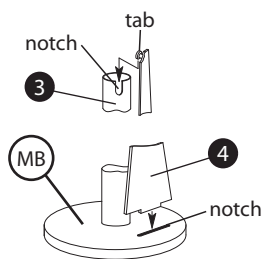
▼ start here

1

1. Find a clear area in which you can work.
2. Unpack fixture and glass from carton.
3. Carefully review instructions prior to assembly.

*** The construction of this fixture will be accomplished by first assembling the main body of the fixture, installing the mounting hardware, making all necessary electrical connections, hanging the fixture from the ceiling, and then installing the glass.

Drawing 2 - Assembly Detail

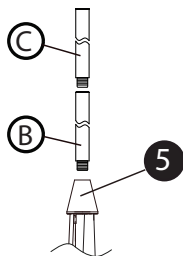


SAFETY WARNING: READ WIRING AND GROUNDING INSTRUCTIONS (I.S. 18) AND ANY ADDITIONAL DIRECTIONS. TURN POWER SUPPLY OFF DURING INSTALLATION. IF NEW WIRING IS REQUIRED, CONSULT A QUALIFIED ELECTRICIAN OR LOCAL AUTHORITIES FOR CODE REQUIREMENTS.

2

1. To assembly main body, first slip center tube (1) along wire and thread into coupler (A) approximately 3/8". Then tighten down hex nut (2) against coupler (A) to secure - see Drawing 1.
2. Slip center column tube (3) over center tube (2).
3. Slip decorative plates (4) into notch on top of main body (MB) - see Drawing 1 & 2.
4. Slip top tab of decorative plate (4) into notch located at top of center column tube (3).
5. Thread on cap (5) to secure assembly.

Drawing - 3 Rod installation

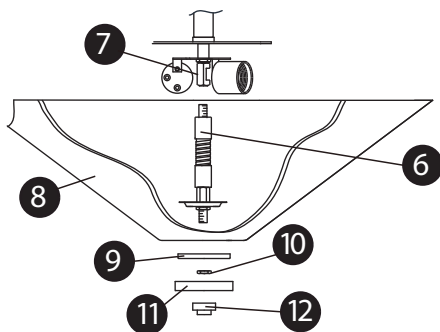


3

Note: It will be necessary to determine the length of rods you will require to hang your fixture at the desired height. After this has been established, please follow the instructions below.

1. Slip first rod section (B) along wire and thread into top of cap (5) - See Drawing 3.
2. Slip next section of rod (C) along wire and thread into top of previously installed rod -
3. Continue adding sections of rod until all necessary lengths have been attached to the fixture.
4. Fixture can now be mounted to the ceiling by following mounting instruction sheet (IS19-91) provided. Return to this sheet for glass installation instructions.

Drawing - Glass installation



1. Fixture can be lamped accordingly prior to installing glass.
2. To install glass, thread hang straight assembly (6) into coupler (7) and tighten.
3. Slip glass (8) onto hang straight (6), making sure plate engages center hole of glass.
4. Slip cap (9) and onto end of hang straight, followed by lockwasher (10), hold parts in position and thread on hex nut (11) and tighten to secure glass (8).
5. Slip cap (12) onto end of hang straight, and then thread decorative knob onto bottom to complete assembly.

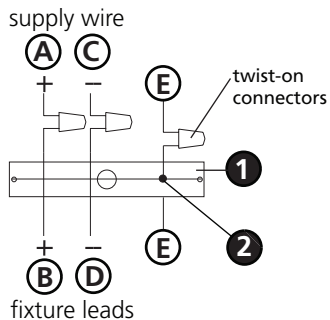
Note: Maximum wattage for 4314 fixture is 100 watts per bulb.

01.01.12

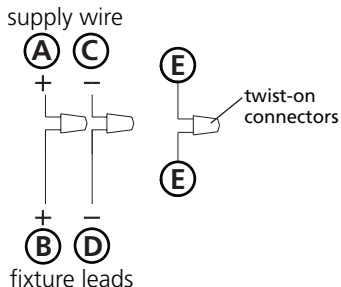
Drawing 1 - Flush Mount



Drawing 2 - Chain Hung



Drawing 3 - Post-Mount



SAFETY WARNING: READ WIRING AND GROUNDING INSTRUCTIONS (I.S. 18) AND ANY ADDITIONAL DIRECTIONS. TURN POWER SUPPLY OFF DURING INSTALLATION. IF NEW WIRING IS REQUIRED, CONSULT A QUALIFIED ELECTRICIAN OR LOCAL AUTHORITIES FOR CODE REQUIREMENTS.

wiring instructions

Indoor Fixtures

1. Connect positive supply wire **(A)** (typically black or the smooth, unmarked side of the two-conductor cord) to positive fixture lead **(B)** with appropriately sized twist on connector - see **Drawings 1 or 2**.
2. Connect negative supply wire **(C)** (typically white or the ribbed, marked side of the two-conductor cord) to negative fixture lead **(D)**.
3. Please refer to the **grounding instructions** below to complete all electrical connections.

Outdoor Fixtures

1. Connect positive supply wire **(A)** (typically black or the smooth unmarked side of the two-conductor cord) to positive fixture lead **(B)** with appropriately sized twist on connector - see **Drawings 2 or 3**.
2. Connect negative supply wire **(C)** (typically white or the ribbed, marked side of the two-conductor cord) to negative fixture lead **(D)**.
3. Cover open end of connectors with silicone sealant to form a watertight seal.
 - If installing a wall mount fixture, use caulk to seal gaps between the fixture mounting plate (backplate) and the wall. This will help prevent water from entering the outlet box. If the wall surface is lap siding, use caulk and a fixture mounting platform specially.
4. Please refer to the **grounding instructions** below to complete all electrical connections.

grounding instructions

Flush Mount Fixtures

For positive grounding in a 3-wire electrical system, fasten the fixture ground wire **(E)** (typically copper or green plastic coated) to the fixture mounting strap **(1)** with the ground screw **(2)** - see **Drawing 1**.

Note: On straps for screw supported fixtures, first install the two mounting screws in strap. Any remaining tapped hole may be used for the ground screw.

Chain Hung Fixtures

Loop fixture ground wire **(E)** (typically copper or green plastic coated) under the head of the ground screw **(2)** on fixture mounting strap **(1)** and connect to the loose end of the fixture ground wire directly to the ground wire of the building system with appropriately sized twist-on connectors - see **Drawing 2**.

Post-Mount Fixtures

Connect fixture ground wire **(E)** (typically copper or green plastic coated) to power supply ground with appropriately sized twist-on connector inside post. Cover open end of connector with silicone sealant to form a watertight seal - see **Drawing 3**.