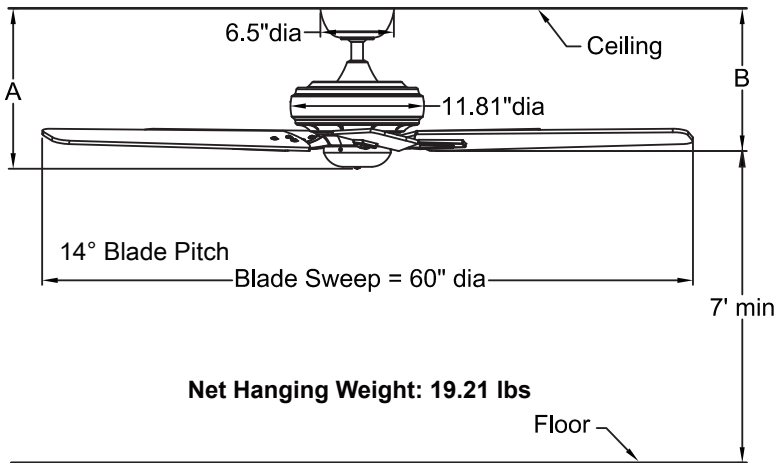


KEISTONE™

FPD8088 -NL
60" Ceiling Fan**



	A	B
Fan w/4.5" downrod	14.18"	12.60"
Fan w/12" downrod	21.68"	20.10"
Fan w/18" downrod	27.68"	26.10"
Fan w/24" downrod	33.68"	32.10"
Fan w/36" downrod	45.68"	44.10"
Fan w/48" downrod	57.68"	56.10"
Fan w/60" downrod	69.68"	68.10"
Fan w/72" downrod	81.68"	80.10"

Available Finishes

Fan / Housing Assembly		Blades - Traditional
BA	Bronze Accent	Cherry / Walnut
PW	Pewter	Cherry / Walnut

INSTALLATION REQUIREMENTS:

Fan must be attached to a securely anchored electrical junction box capable of withstanding a load of at least 50 lbs.

ELECTRICAL REQUIREMENTS:

Requires a grounded electrical supply line of 120 volts AC, 60 Hz, 15 amp circuit.

MOTOR SPECS:

DC-125S DC motor is designed for optimal performance with this fan.

BLADES:

A set of five 25" reversible traditional wood blades is included.

Airflow / Energy Efficiency Info (120V)					
Fan Speed	Max RPM	CFM	CFM / Watts	Amps	Watts
I	51	2386	682	0.06	3.5
II	67	3108	576	0.08	5.4
III	84	3786	440	0.13	8.6
IV	106	4459	357	0.18	12.5
V	118	5342	281	0.26	19.0
VI	137	6466	214	0.42	30.2

CONTROL OPTIONS:

TR34WH hand-held DC fan remote control is included. Push button remote control has 6 fan speeds, reverse and off button.

DOWNROD OPTIONS:

Fan comes with 1" dia. x 4.5" long downrod (DR1-45). Optional downrods available in 12", 18", 24", 36", 48", 60", and 72" lengths. A downrod coupler is available for installations requiring a downrod longer than 72". Fan can be mounted on a sloped ceiling upto 30°. Most sloped ceiling installations require a downrod longer than the standard 6" downrod. Optional sloped ceiling ball kits (SCB1-52) are available for slope angles greater than 30° and up to 52°. Call technical support for more information.

LOCATION USE:

Fan is rated for dry locations only