

CRAFTMADE

Townsend - TS52OB

52" Ceiling Fan (Blades Sold Separately)

Finish: Oiled Bronze



Transform your home with the transitional glamour of the Townsend ceiling fan. It's the tailored look we love combined with a chic array of finish and blade options with unique minimalist blade holders. Available in Oiled Bronze, Polished Nickel, or Pewter, Townsend instantly elevates the style of your home.

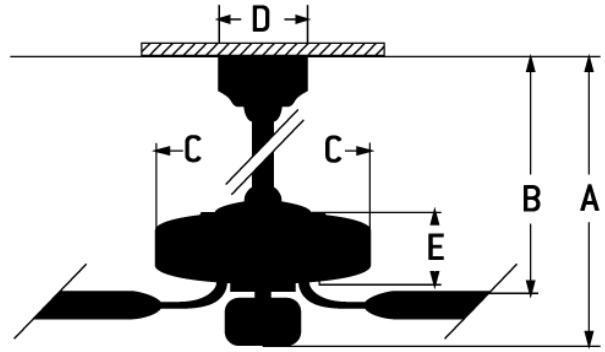
- Heavy-Duty, 3-Speed Reversible Motor
- 6" Downrod (Included)
- Blades Sold Separately
- ICS Remote & Wall Controls (Included)
- Dual Mount (Flat or angled ceiling)
- Remote Dimming

Specs

Blade Sweep Opt (in.)	44, 52, 54, 56
Blades	5
Blade Pitch (°)	14
Motor Size (MM)	188x15
Amps at High Speed	0.66
Watts (Hi Speed)	79
Energy Guide Watts	50
Energy Guide CFM	6061
Energy Guide CFM_Watts	77
High Speed (CFM)	6061
Low Speed (CFM)	2214
Shipping Weight (lbs.)	24
Carton Size (CU FT)	2.02
Blade Options	Type1, Type 2
Light Kit Options	Bowl Light Kits, Universal Light Kits, or Customize Your Own (Universal Fitters and 2 1/4" Glass)

Dimensions


A:	17.36
B:	12.94
C:	12.48
D:	5.94
E:	5.28
F: w/o Light Kit - Downrod Length (in.)	6



Downloads

Townsend - TS52OB

 [PDF Tear Sheet](#)

 [Installation Guide](#)

 [Energy Guide](#)

ENERGY INFORMATION at High Speed		
Airflow	Electricity Use	Airflow Efficiency
6061	79	77
Cubic Feet Per Minute	Watts (excludes lights)	Cubic Feet Per Minute Per Watt
Compare: 49" to 60" ceiling fans have airflow efficiencies ranging from approximately 51 to 176 cubic feet per minute per watt at high speed.		
Money-Saving Tip: Turn off fan when leaving room		