

CRAFTMADE

Porch Fan - PF52OB

52" Ceiling Fan (Blades Sold Separately)

Finish: Oiled Bronze



The traditional styled Porch Fan is a refreshing choice for damp locations from covered balcony to porch and patio.

- Standard, 3-Speed Non-Reversible Motor
- 3" and 6" Downrods (Included)
- Blades Sold Separately
- Dual Mount (Flat or angled ceiling)
- Suitable for Damp Locations

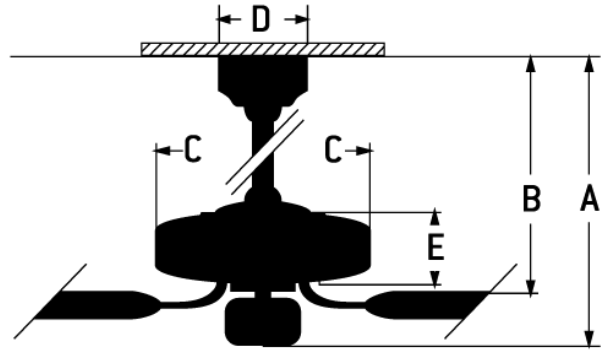
Specs

Blade Sweep Opt (in.)	44.52
Blades	5
Blade Pitch (°)	12
Motor Size (MM)	153X12
Amps at High Speed	0.50
Watts (Hi Speed)	60.40
Energy Guide CFM	4421
Energy Guide CFM_Watts	73
High Speed (CFM)	4421.30
Low Speed (CFM)	1871.30
Shipping Weight (lbs.)	12.90
Carton Size (CU FT)	1.28
Blade Options	Type3
Compatible Control Types	UCI-2000-2 Remote and Wall Control
Light Kit Options	Bowl Light Kits, Universal Light Kits, or Customize Your Own (Universal Fitters and 2 1/4" Glass)

Dimensions

A:	14.75
A: (2" Downrod) -	10.77
B:	9
B: (2" downrod)	13.07
C:	11.50

D: 5.12
 E: 6.46
 F: w/o Light Kit - 6.46
 Downrod Length (in.) 6
 2' Downrod (in.) 3



Downloads

Porch Fan - PF52OB

 [PDF Tear Sheet](#)

 [Installation Guide](#)

 [Energy Guide](#)

ENERGY INFORMATION at High Speed		
Airflow	Electricity Use	Airflow Efficiency
4421	60	73
Cubic Feet Per Minute	Watts (excludes lights)	Cubic Feet Per Minute Per Watt
Compare: 49" to 60" ceiling fans have airflow efficiencies ranging from approximately 51 to 176 cubic feet per minute per watt at high speed.		
Money-Saving Tip: Turn off fan when leaving room		