

CRAFTMADE

Mia Outdoor - OMI52AGVM

52" Ceiling Fan (Blades Sold Separately)

Brighten and cool your outdoor space, with the masterfully-crafted, wet-rated Outdoor Mia ceiling fan.



- Heavy-Duty, 3-Speed Reversible Motor
- 3" and 6" Downrods (Included)
- Blades Sold Separately
- Bowl Light Kit (2-13W CFL Bulbs Included)
- Dual Mount (Flat or angled ceiling)
- Suitable for Wet Locations

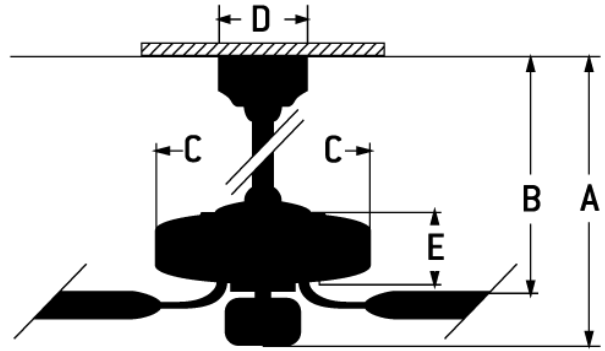
Specs

Blade Sweep Opt (in.)	44, 52, 54, 56
Blades	5
Blade Pitch (°)	14
Motor Size (MM)	188x15
Amps at High Speed	0.55
Watts (Hi Speed)	66.60
Energy Guide Watts	70
Energy Guide CFM	5868
Energy Guide CFM_Watts	88
High Speed (CFM)	5868
Low Speed (CFM)	2305
Shipping Weight (lbs.)	25.97
Carton Size (CU FT)	2
Blade Options	Type1, Type 3
Bulb Wattage	13
Light Kit Options	Bowl Light Kit Included
Finish	Aged Bronze-Vintage Madera

Dimensions

A:	22
A: (2" Downrod) -	19.75
B:	10.75
B: (2" downrod)	13
C:	12.50
D:	5.13
E:	4.50

F: w/o Light Kit - 4.50
 A: 13.50
 A: w/o Light Kit - 15.75
 Downrod Length (in.) 6
 2" Downrod (in.) 3



Downloads

Mia Outdoor - OMI52AGVM

 [PDF Tear Sheet](#)

 [Installation Guide](#)

 [Energy Guide](#)

ENERGY INFORMATION at High Speed		
Airflow	Electricity Use	Airflow Efficiency
5868	67	88
Cubic Feet Per Minute	Watts (excludes lights)	Cubic Feet Per Minute Per Watt
Compare: 49" to 60" ceiling fans have airflow efficiencies ranging from approximately 51 to 176 cubic feet per minute per watt at high speed.		
Money-Saving Tip: Turn off fan when leaving room		