

CRAFTMADE

Cordova - CV52AG

52" Ceiling Fan (Blades Sold Separately)

Finish: Aged Bronze Textured



The Cordova with its traditional European styling, would feel right at home in a luxurious boutique hotel. The intricately detailed metalwork has the feel of Old World craftsmanship.

- Heavy-Duty, 3-Speed Reversible Motor
- 3" and 6" Downrods (Included)
- Blades Sold Separately
- Dual Mount (Flat or angled ceiling)

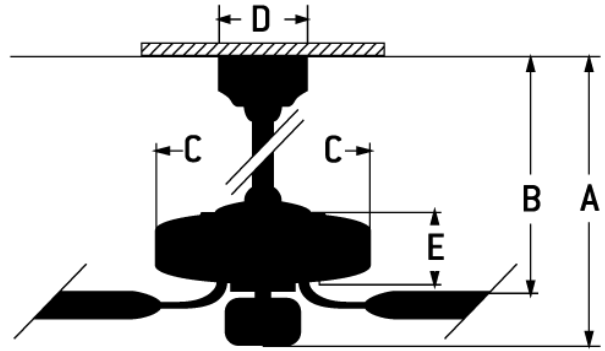
Specs

Blade Sweep Opt (in.)	44, 52, 54, 56
Blades	5
Blade Pitch (°)	14
Motor Size (MM)	188x15
Amps at High Speed	0.65
Watts (Hi Speed)	78
Energy Guide Watts	47
Energy Guide CFM	5842
Energy Guide CFM_Watts	75
High Speed (CFM)	5842
Low Speed (CFM)	2018
Shipping Weight (lbs.)	19.97
Carton Size (CU FT)	1.94
Blade Options	Type1, Type 2
Compatible Control Types	CV-ICS-AG Remote & Wall Controls
Light Kit Options	Bowl Light Kits, Universal Light Kits, or Customize Your Own (Universal Fitters and 2 1/4" Glass)

Dimensions

A:	16.48
A: (2" Downrod) -	12.50
B:	9
B: (2" downrod)	13.07
C:	12.82


D: 5.12
 E: 4.96
 F: w/o Light Kit - 4.96
 Downrod Length (in.) 6
 2' Downrod (in.) 3



Downloads

Cordova - CV52AG

 [PDF Tear Sheet](#)

 [Installation Guide](#)

 [Energy Guide](#)

ENERGY INFORMATION at High Speed		
Airflow	Electricity Use	Airflow Efficiency
5842	78	75
Cubic Feet Per Minute	Watts (excludes lights)	Cubic Feet Per Minute Per Watt
Compare: 49" to 60" ceiling fans have airflow efficiencies ranging from approximately 51 to 176 cubic feet per minute per watt at high speed.		
Money-Saving Tip: Turn off fan when leaving room		